

(4) Holes, M10 x 19 (0.75") deep
 equispaced as shown on
 Ø 149.225 (5.875") PCD

(3) Holes - M4 Tap
 equispaced as shown
 on 93.65 (3.687") P.C.D.
 (EndCover Mounting Holes)

Notes:-

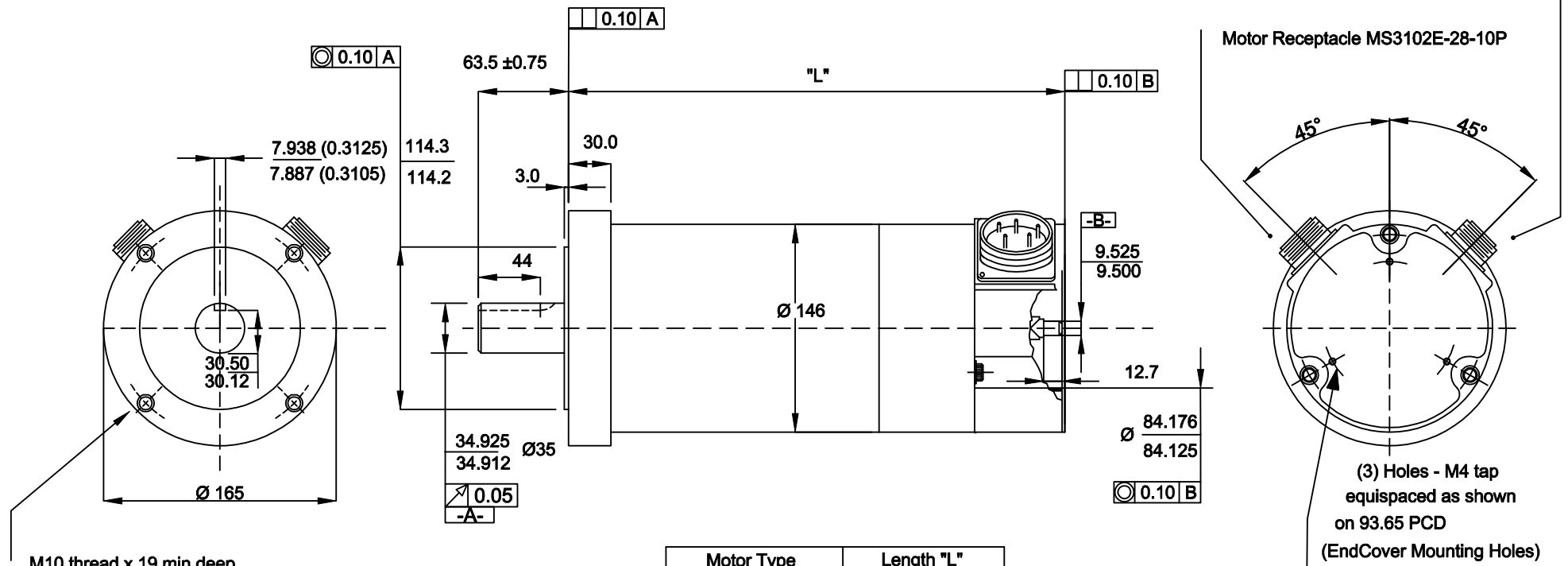
1. With a positive current applied to green lead (x3) with respect to orange lead (x3) of motor, rotation shall be clockwise facing mounting end of motor.
 With this rotation a positive voltage shall be generated on black lead of tach with respect to white lead.
2. Motor can be mounted in any position
3. Thermostat set to open at 90°C ± 6°C & close at 70° ± 6°C falling.
 N.C. contacts rated to 3.0 Amps, 250V. AC., (2) Yellow leads
4. All dimensions in mm with inches in ().

Model	Length "L" Max	Model	Length "L" Max
M4-4203	297 (11.68")	M4-4207	398 (15.68")
M4-4204	322 (12.68")	M4-4208	424 (16.68")
M4-4205	347 (13.68")	M4-4209	449 (17.68")
M4-4206	373 (14.68")		

					Tolerances. X.XX = ± 0.015 X.XXX = ± 0.005 Ang. Dim. = ± 1°		Scale : NTS		Weight :
					Date 12/6/06		Material : SEE NOTES Remove all burrs and sharp corners		
					Name POB		Rare Earth Servomotor with Tach		
					App'd		M4-420X-00001-000		
Issue	ECO. No.	Date	Name	App'd	Norm				
							M4-420X-00001-000		Sheet 1 of 1

Tacho Receptacle MS3102E-20-33P

Motor Receptacle MS3102E-28-10P



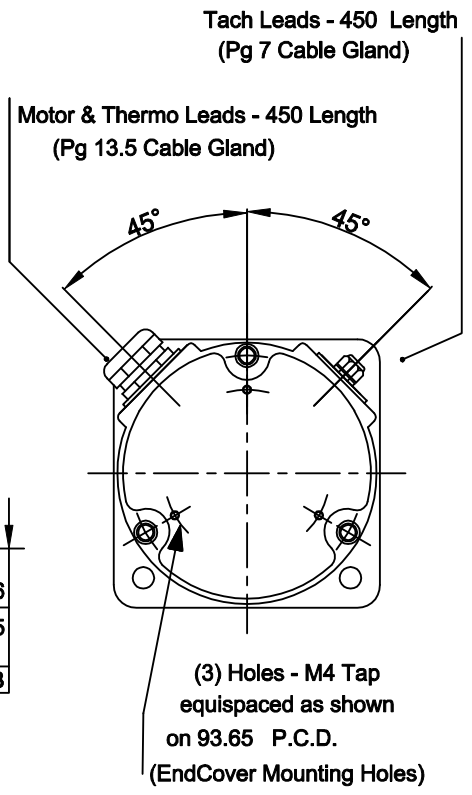
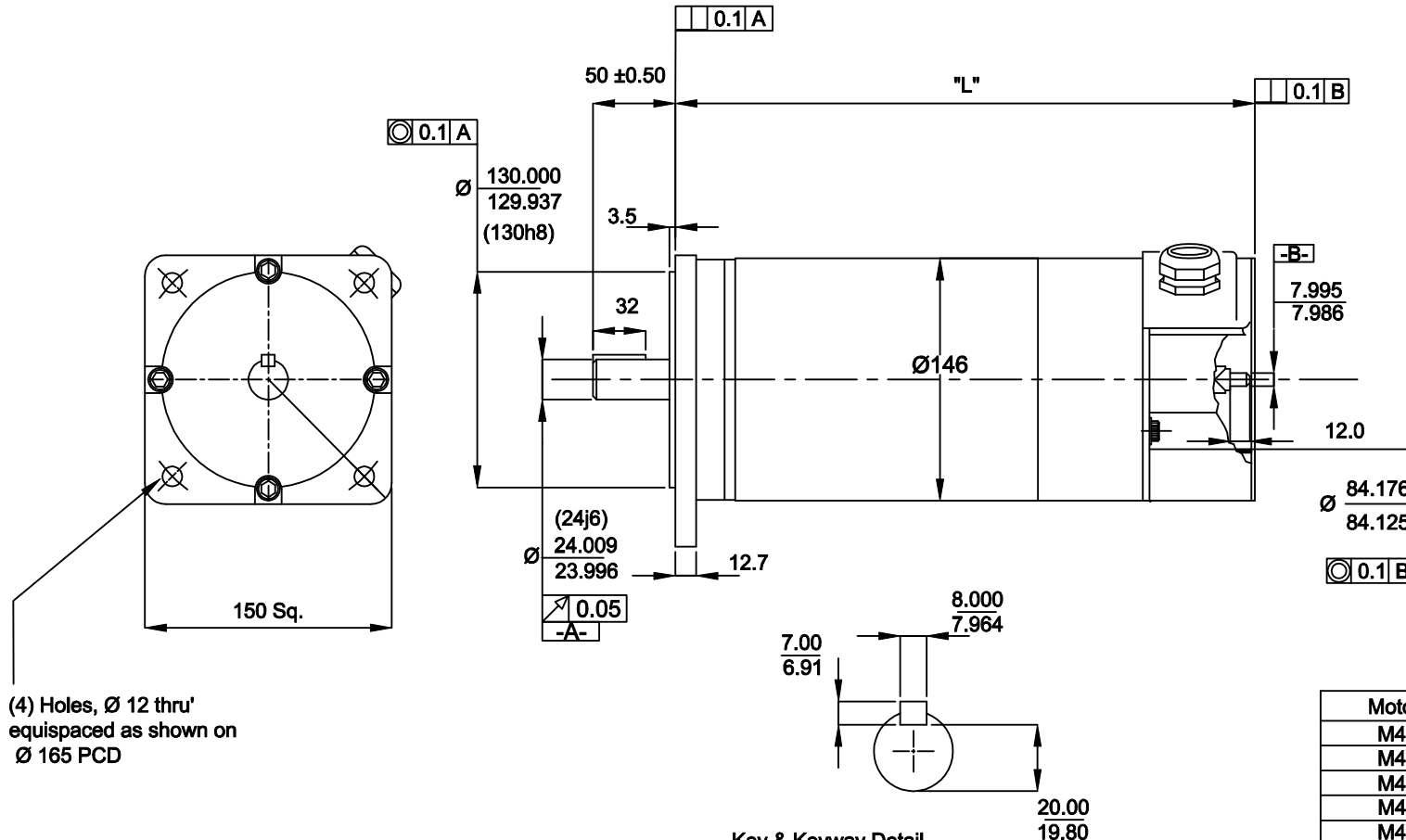
M10 thread x 19 min deep
(4) Holes equispaced on $\varnothing 149.2$ PCD

Motor Type	Length "L"
M4-4203	297
M4-4204	322
M4-4205	347
M4-4206	373
M4-4207	398
M4-4208	424
M4-4209	449

Notes:-

1. With a positive current applied to pin C with respect to pin D, rotation shall be clockwise facing mounting end of motor. With this rotation a positive voltage shall be generated on pin J of tach with respect to pin K.
2. Motor can be mounted in any position
3. Thermostat set to open at $90^{\circ}\text{C} \pm 6^{\circ}\text{C}$ & close at $70^{\circ} \pm 6^{\circ}\text{C}$ falling. N.C. contacts rated to 3.0 Amps, 250V. AC., (2) Yellow leads
4. All dimensions in mm.

					Tolerances. X.XX = ± 0.015 X.XXX = ± 0.005 Ang. Dim. = $\pm 1^{\circ}$		Scale : NTS		Weight :	
							Material : SEE NOTES Remove all burrs and sharp corners			
					Date 25/11/05		Name POB		Motor Outline M4-420x -00011-000	
					App'd					
Issue	ECO. No.	Date	Name	App'd	Norm					Sheet 1 of 1
								M4-420x - 00011 - 000		



(4) Holes, Ø 12 thru' equispaced as shown on Ø 165 PCD

- Notes:-
1. With a positive current applied to green lead (x3) with respect to orange lead (x3) of motor, rotation shall be clockwise facing mounting end of motor. With this rotation a positive voltage shall be generated on black lead of tach with respect to white lead.
 2. Motor can be mounted in any position
 3. Thermostat set to open at 90°C ± 6°C & close at 70° ± 6°C falling. N.C. contacts rated to 3.0 Amps, 250V. AC., (2) Yellow leads
 4. All dimensions in mm.

Motor Type	Length "L"
M4-4203	297
M4-4204	322
M4-4205	347
M4-4206	373
M4-4207	398
M4-4208	424
M4-4209	449

Key & Keyway Detail

					Tolerances. X.X = ± 0.3 X.XX = ± 0.1 Ang. Dim. = ± 1°		Scale : NTS				Weight :	
					Date 21/5/08		Material : SEE NOTES		Remove all burrs and sharp corners			
					Name POB		Rare Earth Servomotor with Tach M4-420X-21001-000					
					App'd							
Issue	ECO. No.	Date	Name	App'd	Norm						Sheet 1 of 1	
										M4-420X-21001-000		