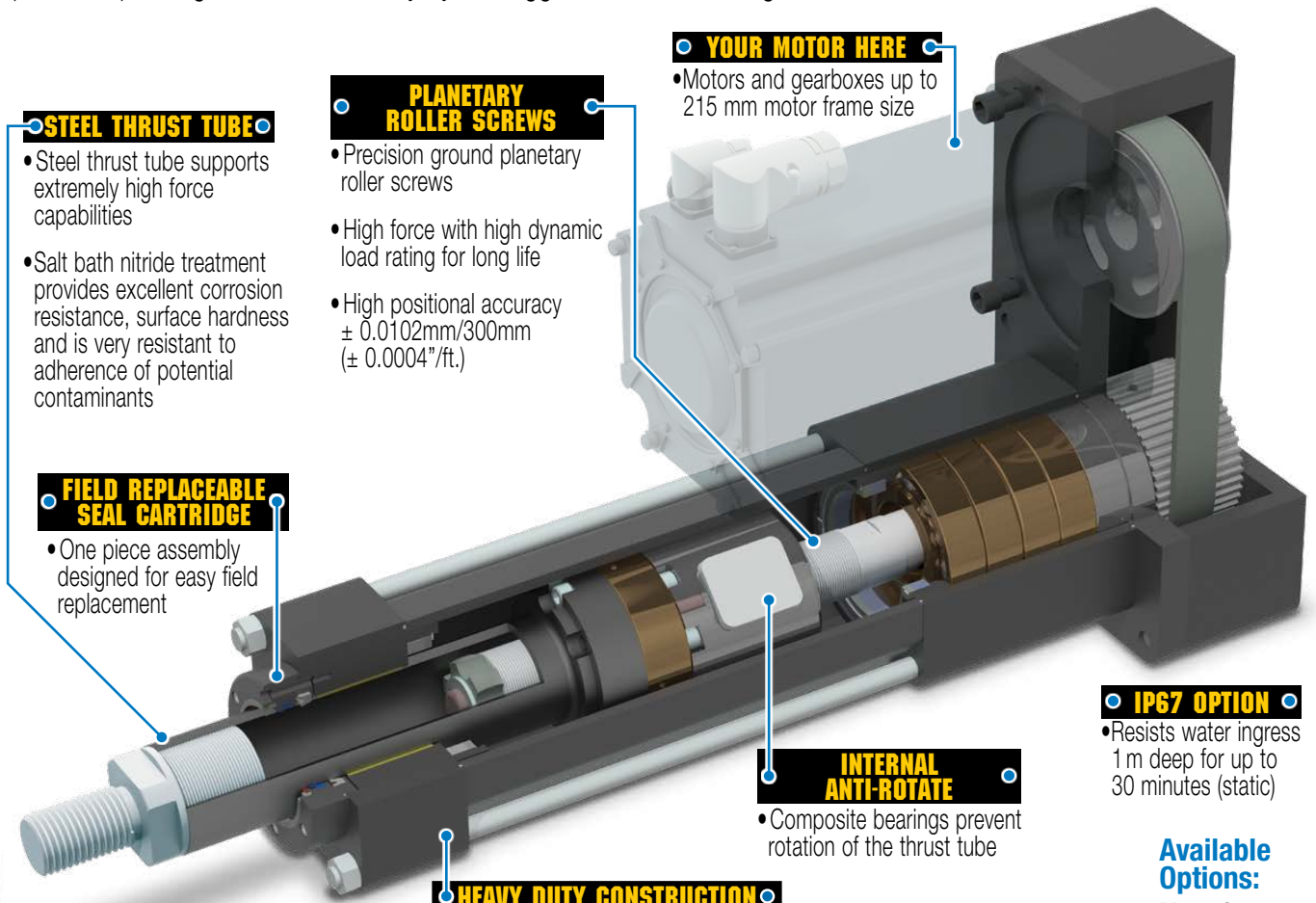


EXTREME FORCE, HYDRAULIC CLASS ELECTRIC ACTUATORS

RSX

RSX actuators are an ideal choice for replacing hydraulic cylinders. These high force electric actuators with planetary roller screws are available for forces up to 50,000 lbf (222.4 kN). Designed for 100% duty cycle, rugged service and long life.



STEEL THRUST TUBE

- Steel thrust tube supports extremely high force capabilities
- Salt bath nitride treatment provides excellent corrosion resistance, surface hardness and is very resistant to adherence of potential contaminants

FIELD REPLACEABLE SEAL CARTRIDGE

- One piece assembly designed for easy field replacement

PLANETARY ROLLER SCREWS

- Precision ground planetary roller screws
- High force with high dynamic load rating for long life
- High positional accuracy $\pm 0.0102\text{mm}/300\text{mm}$ ($\pm 0.0004\text{"/ft.}$)

YOUR MOTOR HERE

- Motors and gearboxes up to 215 mm motor frame size

INTERNAL ANTI-ROTATE

- Composite bearings prevent rotation of the thrust tube

HEAVY DUTY CONSTRUCTION

- All external component are Type III hard-coat anodized aluminum or zinc plated steel for rugged use and corrosion resistance

IP67 OPTION

- Resists water ingress 1 m deep for up to 30 minutes (static)

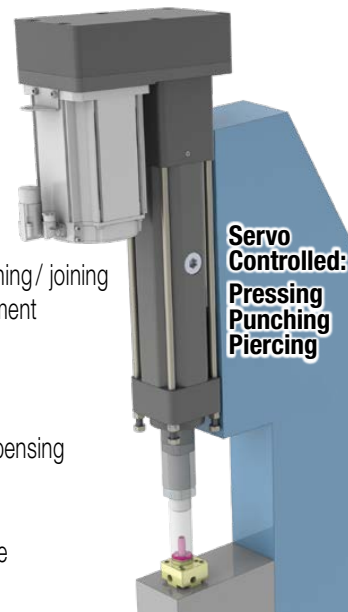
Available Options:

Mounting
 Mounting Plates;
 Front Flange;
 Trunnion Mount;
 Rear Clevis;
 Extended Tie Rods

Rod Ends
 Alignment Coupler;
 Rod Clevis

Sensors
 With tie-rod mounting bracket

White Paint & Stainless Steel
 For food grade



Servo Controlled:
 Pressing
 Punching
 Piercing



RSX Now Available in 3 Sizes

Applications:

- Assembly machinery
- Automotive
- Clamping
- Converting
- Cycle testing
- Hydraulic replacement
- Injection molding
- Machine tools
- Motion simulators
- Piercing
- Pressing
- Punching
- Riveting / fastening / joining
- Sawmill equipment
- Stamping
- Test stands
- Tube bending
- Volumetric dispensing
- Welding
- Wire winding
- and many more

HIGH FORCE, HYDRAULIC CLASS ELECTRIC ACTUATORS

Specifications

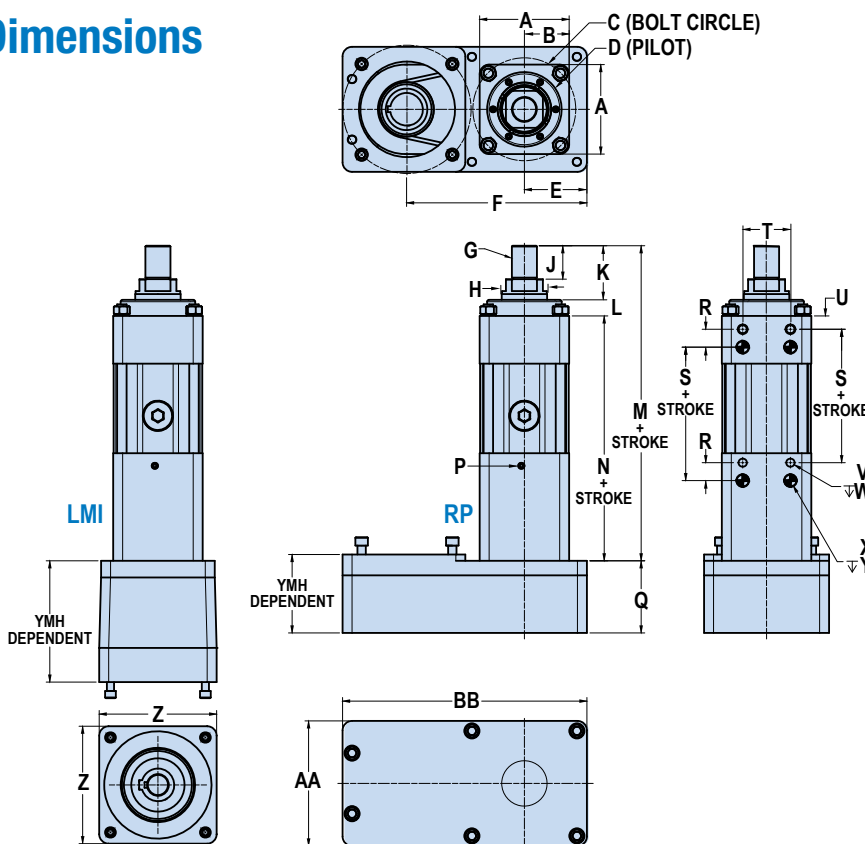
RSX

RSX SIZE	*MAX. STROKE		SCREW CODE	SCREW LEAD	LEAD ACCURACY	BACK-LASH	MAX. FORCE	MAX. SPEED	DYNAMIC LOAD RATING	
	MIN. STROKE	TRR								
	mm	mm		mm/rev	mm/300mm	mm	kN	mm/sec	kN	
080	75	890	820	RN10	10.00	0.01	0.030	80.07	701	173.1
096	75	800	725	RN12	12.00	0.01	0.030	133.45†	759	269.3
096P	75	450	—	RN12	12.00	0.01	0.030	177.93**	759	269.3
128	75	665	555	RN10	10.00	0.01	0.030	222.41	500	442.7
	in	in	in		turns/in	in/ft	in	lbf	in/sec	lbf
080	2.95	35.03	32.28	RN10	2.54	0.0004	0.0012	18,000	27.6	38,914
096	2.95	31.49	28.54	RN12	2.12	0.0004	0.0012	30,000†	29.9	60,541
096P	2.95	17.71	—	RN12	2.12	0.0004	0.0012	40,000**	29.9	60,541
128	2.95	26.18	21.85	RN10	2.54	0.0004	0.0012	50,000	19.7	99,519

*Consult Tolomatic for longer strokes. TRR = Trunion option †Requires HT1 Option
 **Max. force only in extend (retract force 15,000lbf; 66.7 kN)

	080	096	128
A	135.0	150.0	220.0
B	67.5	75.0	110.0
C	150.00	171.0	250.0
D	110.00 (+0.00) (-0.03)	125.00 (+0.00) (-0.03)	175.0 (+0.00) (-0.03)
E	88.9	104.8	145.5
RP1			
F	272.9	304.8	425.6
RP2			
	271.1	302.3	427.2
STANDARD			
G	M36 x 3.0-6g	M42 x 4.5-6g	M64 x 3.0-6g
H₀	63.388 / 63.449	76.093 / 76.149	101.488 / 101.549
THREAD LENGTH			
J	60.0	69.9	105.0
FULL RETRACT			
K	95.0	104.8	165.1
L	27.0	27.0	33.0
M	474.7	601.1	803.9
N	352.7	469.2	605.8
P	RC 1/8 -28 X 38.1 DP (Plugged)	RC 1/8 -28 X 38.1 DP (Plugged)	RC 1/4 -19 X 38.1 DP (Plugged)
Q	96.0	124.7	184.2
R	30.0	30.0	40.0
S	210.9	282.4	369.0
T	70.0	80.0	115.0
U	18.0	22.3	35.0
V	M12 x 1.75-6H	M16 x 2.0-6H	M20 x 2.5-6H
W	↓ 18.0 (4)	↓ 20.0 (4)	↓ 20.0 (4)
X	16.025 / 16.012	20.025 / 20.013	20.025 / 20.013
Y	↓ 15.0 (4)	↓ 15.0 (4)	↓ 20.0 (4)
Z	152.4	196.9	287.8
AA	177.8	209.6	291.1
BB	355.6	409.6	589.8

Dimensions



Dimensions in millimeters

Tolomatic™

EXCELLENCE IN MOTION

COMPANY WITH
 QUALITY SYSTEM
 CERTIFIED BY DNV GL
 = ISO 9001 =
 Certified site: Hamel, MN

USA
Tolomatic Inc.
 3800 County Road 116
 Hamel, MN 55340, USA
Phone: (763) 478-8000
Fax: (763) 478-8080
 Toll-Free: **1-800-328-2174**
 sales@tolomatic.com
www.tolomatic.com

CHINA
Tolomatic Automation Products (Suzhou) Co. Ltd.
(ServoWeld® Inquiries only)
 No. 60 Chuangye Street, Building 2
 Huqiu District, SND Suzhou
 Jiangsu 215011 - P.R. China
Phone: +86 (512) 6750-8506
Fax: +86 (512) 6750-8507
 ServoWeldChina@tolomatic.com

EUROPE
Tolomatic Europe GmbH
 Elisabethenstr. 20
 65428 Rüsselsheim
 Germany
Phone: +49 6142 17604-0
 help@tolomatic.eu

All brand and product names are trademarks or registered trademarks of their respective owners. Information in this document is believed accurate at time of printing. However, Tolomatic assumes no responsibility for its use or for any errors that may appear in this document. Tolomatic reserves the right to change the design or operation of the equipment described herein and any associated motion products without notice. Information in this document is subject to change without notice.

Visit www.tolomatic.com for the most up-to-date technical information